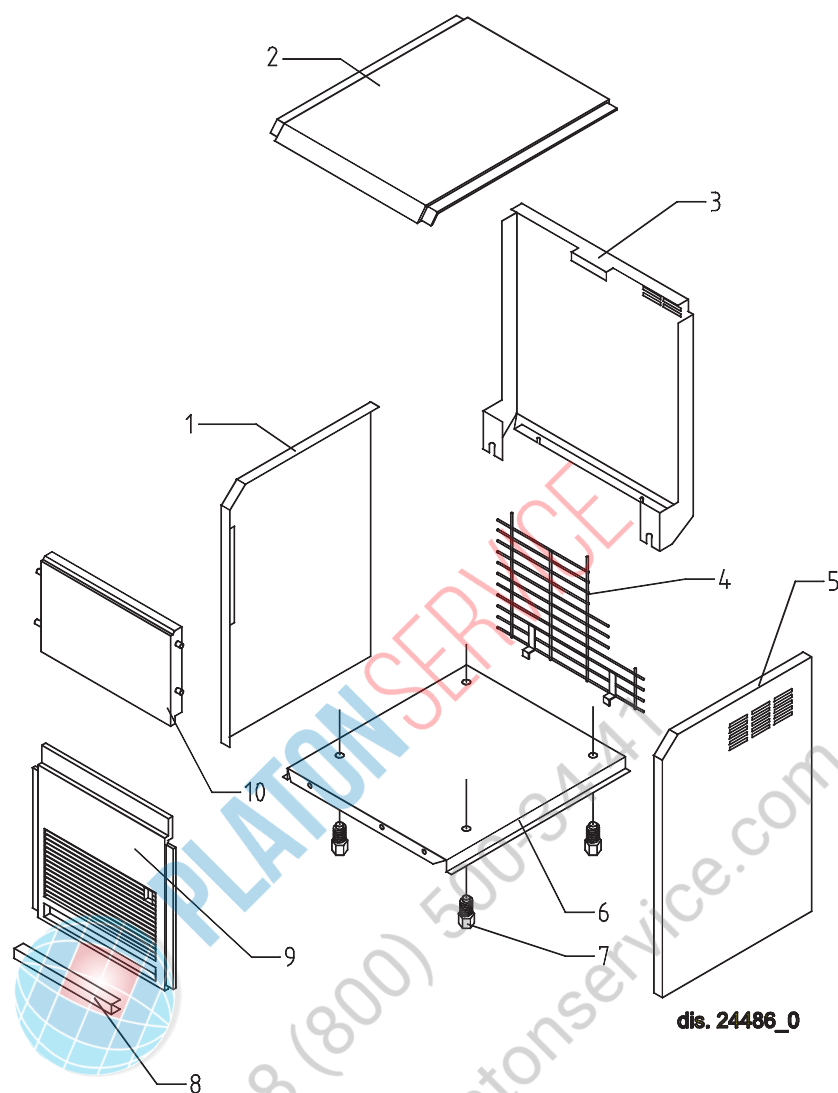


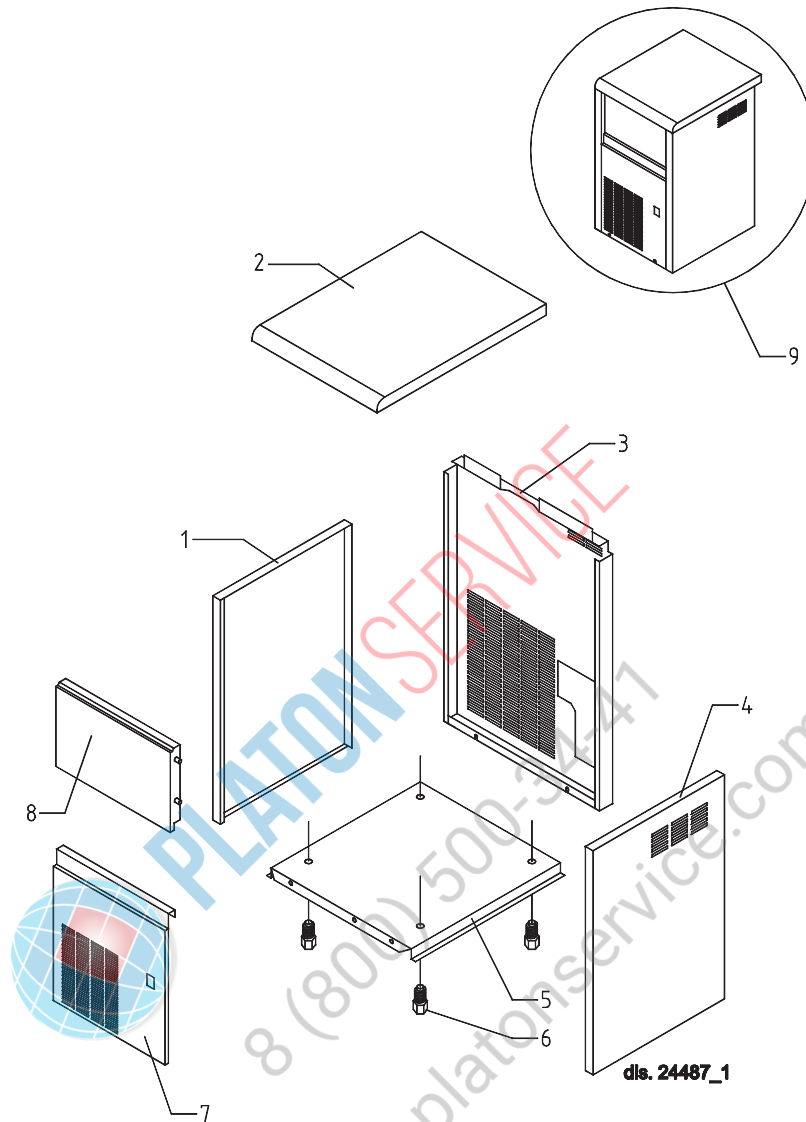
Shell assembly Mod. CB184 A/W – ABS



Shell assembly Mod. CB184 A/W – ABS (TAB. 1)

Ref.	Description	Refrigerant	A/W	Tension	Code
1	Blue left side				10061
1	Grey left side				10105
2	Blue top				10062
2	Grey top				10102
3	Rear panel				21064
4	Back grid				D12028
5	Blue right side				10060
5	Grey right side				10099
6	Base plate				21062
7	Foot				10017
8	Blue screws cover				10069
8	Grey screws cover				10098
9	Blue front grid panel				10063
9	Grey front grid panel				10101
10	Blue door				10081
10	Grey door				10103

Shell assembly Mod. CB184 A/W – INOX



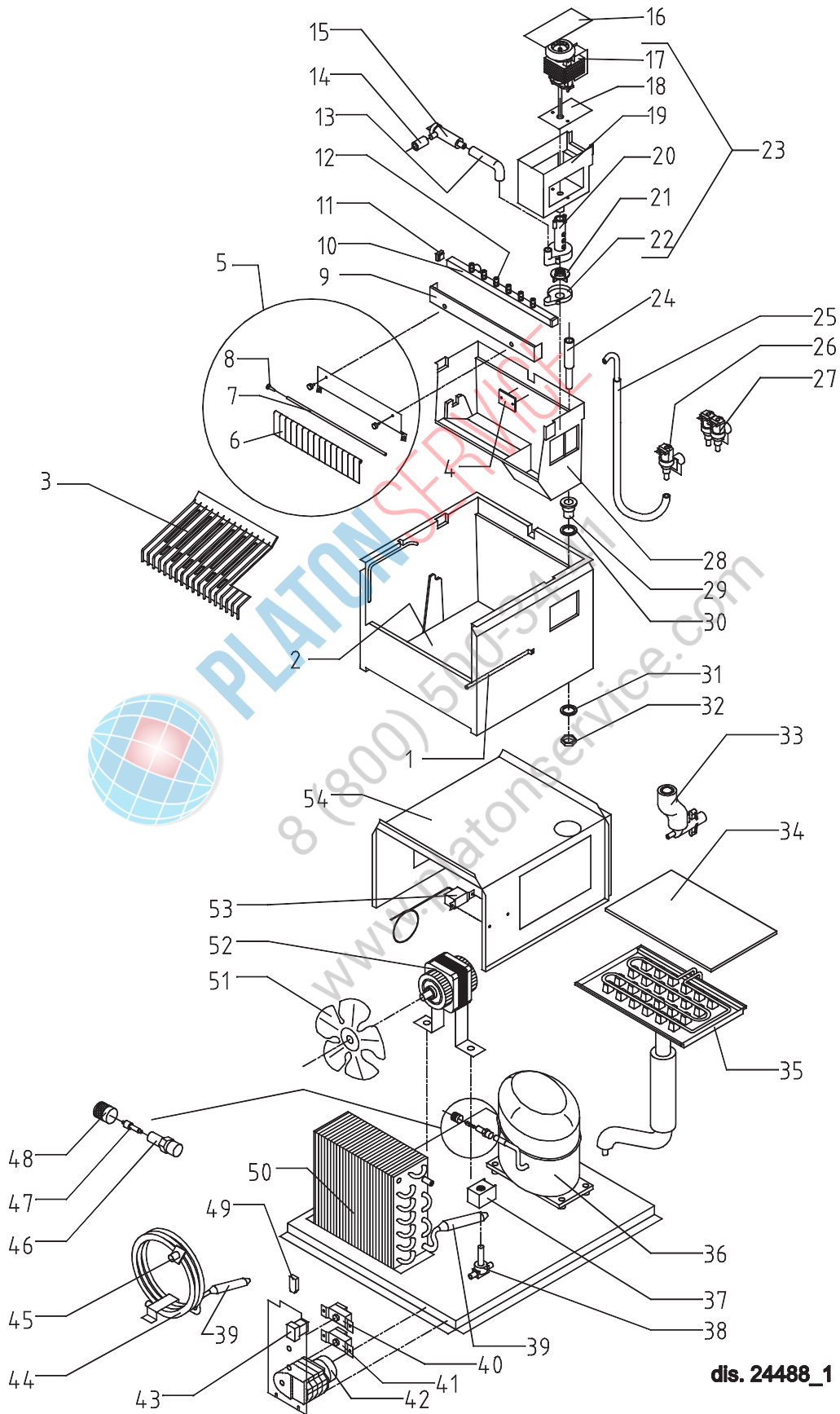
Shell assembly Mod. CB184 A/W – INOX (TAB. 2)

Ref.	Description	Refrigerant	A/W	Tension	Code
1	Left panel stainless steel				22713
2	Top stainless steel				22714
3	Rear panel				21235
4	Right panel stainless steel				22712
5	Base plate				21062
6	Foot				10017
7	Front grid panel stainless steel				22700
8	Dark grey door				10277

Note:

- Code 22713 from number 102226.
- Code 22714 from number 102226.
- Code 21194 until number 102225. Code 21235 from number 102226.
- Code 22712 from number 102226.
- Code 22700 from number 102226.
- Code 22505 until number 102225.

Cooling system assembly + Hydraulic circuit Mod. CB184 A/W



dis. 24488_1

Cooling system assembly + Hydraulic circuit Mod. CB184 A/W – (TAB. 3)

Ref.	Description	Refrigerant	A/W	Tension	Code
1	Bulbe thermostat tube				20519
2	Foamed basin				11016
3	Ice cubes slide				10136
4	Slide keep plate				10142
5	Flags support assy				C22106
6	Flag				10005
7	Flags rod				12029
8	Flags rod clip				10010
9	Evaporator holder				22097
10	Sprayers bar assembly				C20147
11	Sprayers bar plug				10012
12	Sprayer				D20002
13	Pump-filter connection pipe				13055
14	Filter-sprayers bar connection pipe				13056
15	Pump filter				10139
16	Pump cover				22096
17	Pump motor			1	23073
17	Pump motor			2	23187
17	Pump motor			3	23188
18	Heat dissipator				22430
19	Pump motor container				10073
20	Pump body				10065
21	Pump impeller				10066
22	Diffuser				10067
23	Pump assy			1	C23076
23	Pump assy			2	C23270
23	Pump assy			3	C23271
24	Overflow pipe				13028
25	Evaporator's feeding pipe assy				C20535
26	Inlet water valve 1 way		A	1-2	23497
26	Inlet water valve 1 way		A	3	23499
27	Inlet water valve 2 ways		W	1-2	23498
27	Inlet water valve 2 ways		W	3	23500
28	Inner basin				10064
29	Plastic nipple water outlet				10007
30	Silicone gasket				13006
31	Semirigid polyethylene gasket				13007
32	Bin discharge nut				10096
33	Discharges manifold		A		C10006
33	Discharges manifold		W		C26452
34	Evaporator cover				10076
35	Evaporator				D10079
36	Compressor	R404A		1	23436
36	Compressor	R404A		2	23494
36	Compressor	R404A		3	23446
36	Compressor	R22		1	23197
36	Compressor	R22		2	23346
36	Compressor	R22		3	23368
37	Hot gas coil			1-2	23091
37	Hot gas coil			3	23256
38	Hot gas valve body				20410
39	Molecular drier				14009
40	Bin thermostat				23005

41	Evaporator thermostat				23591
42	Timer			1-2	23247
42	Timer			3	23258
43	Switch on-off(green color)				23078
44	Water condenser		W		14348
45	Safety thermostat		W		C23114
46	Vacuum- charge valve body				14007
47	Vacuum-charge valve device				14005
48	Vacuum-charge valve plug				14006
49	Anti radio interference filter	R404A	W	1	23457
50	Air condenser		A		20094
51	Suction fan		A		20095
51	Suction impeller		W		10213
52	Fan motor			1-2	23029
52	Fan motor			3	23265
53	Condenser pressure switch	R404A	W		23175
54	Bin support saddle				22095

Note: 1. Code 20092 until number 94124. Code 20519 from number 94125.
44. Code 14062 (W) until number 97386. Code 14348 (W) from number 97387.
49. Code 23457 (Refr R404A, W, Tens.1) from number 97387.
53. Code 23175 (Refr R404A, W) from number 97387.
42. Code 23247 from september 1992. Before Code 23003.



PLATON SERVICE
8 (800) 500-34-41
www.platonservice.com